

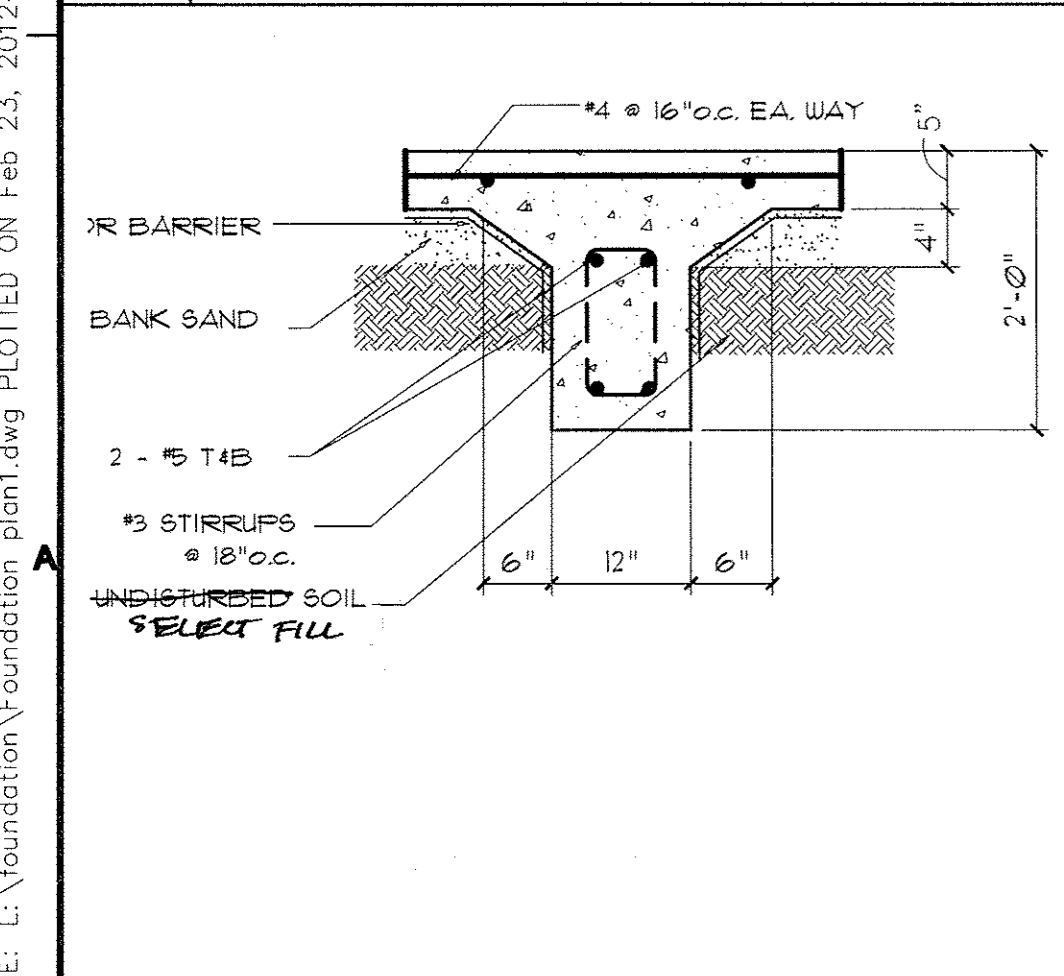
FILE NAME: L:\foundation\Foundation plan1.dwg PLOTTED ON Feb 23, 2012-4:24pm PLOTTED BY HP\_Administrator

1A | FOUNDATION PLAN

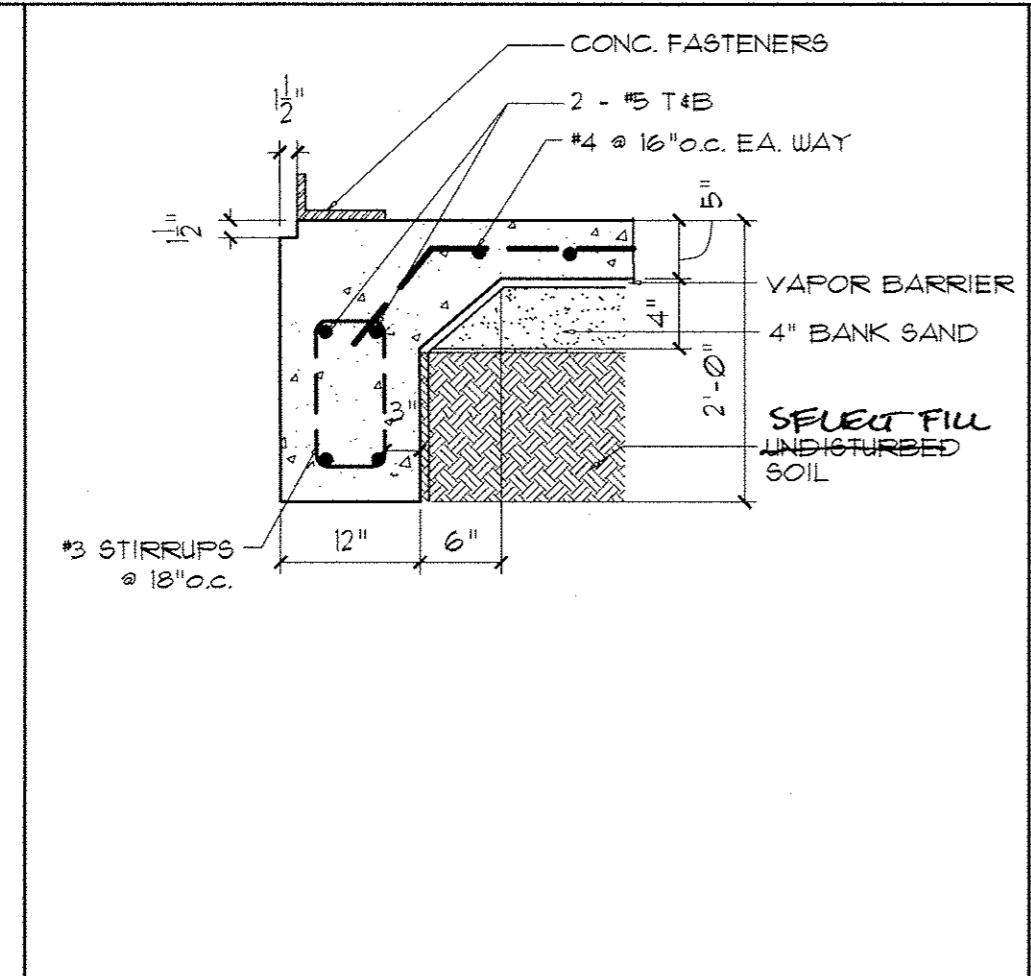
SCALE: 1/8"=1'-0"

PIER DETAILS

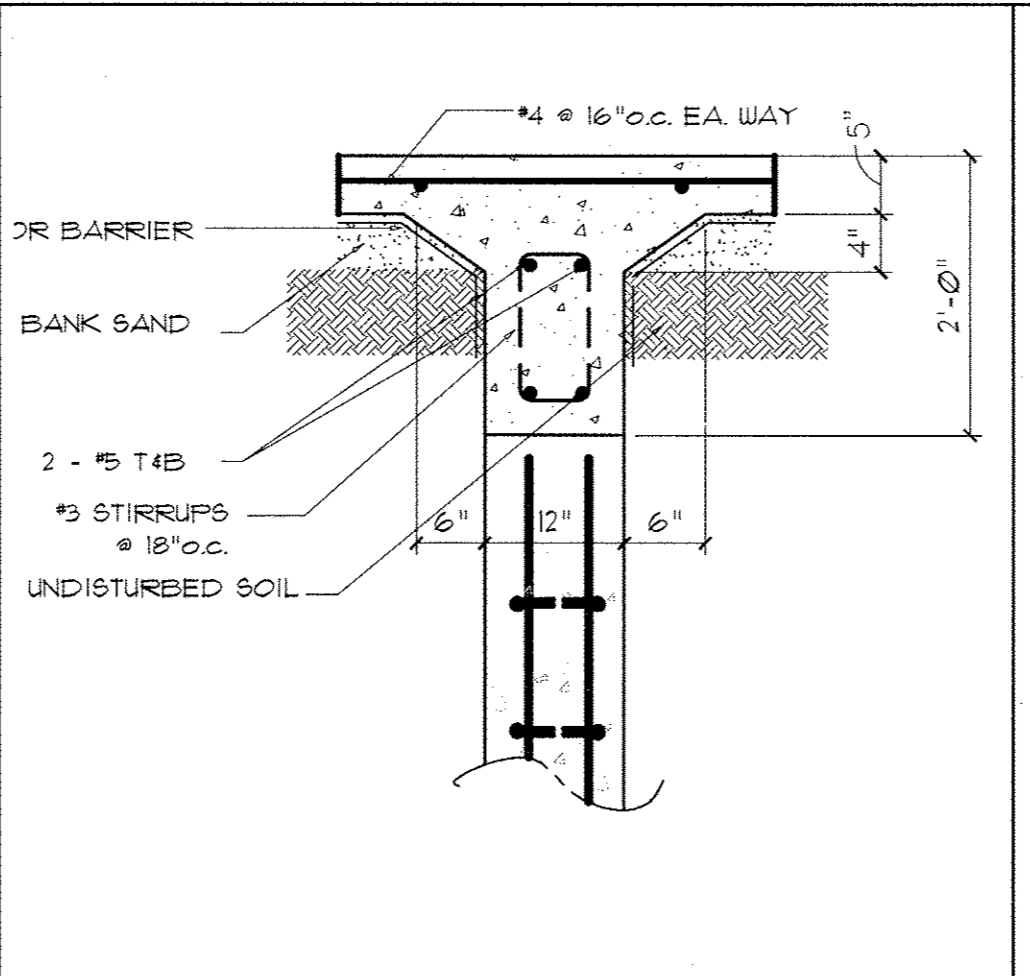
SCALE: 1/16"=1'-0"



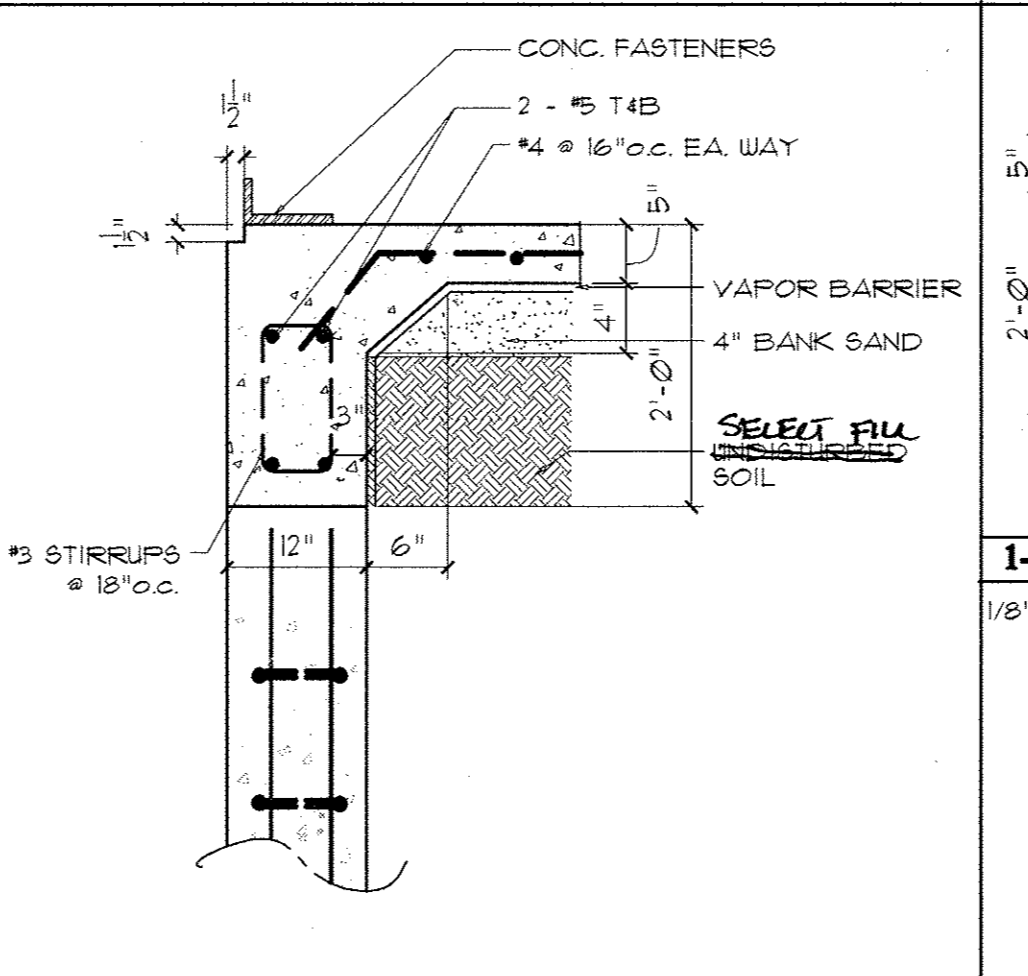
1B | DETAILS SCALE: 1/16"=1'-0"



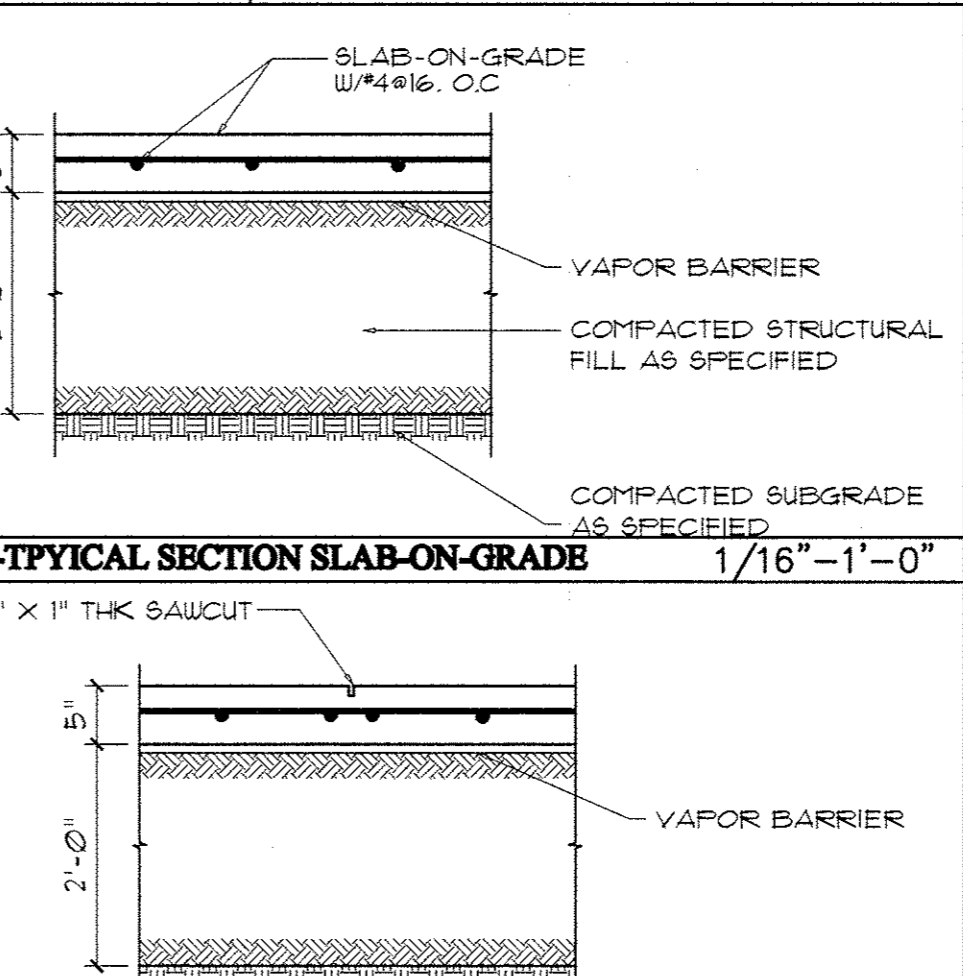
2B | DETAILS SCALE: 1/16"=1'-0"



3B | DETAILS SCALE: 1/16"=1'-0"



4B | DETAILS SCALE: 1/16"=1'-0"



2-TYPICAL SECTION CONTROL JOINT 1/16"=1'-0"

**KEYED NOTES**

01 PERIMETER FENCE @ 10'-0" AROUND THE PROPERTY

1. THIS FOUNDATION PLAN HAS BEEN DESIGN BEYOND IBC STANDARD AND WAS DESIGN WITHOUT A SOIL REPORT

2. CONTRACTOR SHALL REMOVE 2 FEET OF TOPSOIL AND REPLACE WITH 2 FEET OF SELECT FILL UNDER THE SLAB. TOPSOIL REMOVED MAY VARIOUS DEPENDING ON FINISH FLOOR ELEVATION REQUIRED

GERENRAL NOTE

Consultants:

**FOR REVIEW ONLY**  
NOT FOR REGULATORY APPROVAL, PERMITTING, OR CONSTRUCTION.

TRUE VINE BAPTIST CHURCH



Drawing Date: 2/22/12  
 Drawn: KB,  
 Checked:  
 Scale:  
 Project No.: 009

Revisions:

DESCRIPTION
ISSUE FOR CONSTRUCTION 2-24-12

**FOUNDATION PLAN**

**A200**